

## INFO



### COCESP060P01 + COCESP080P01

— Sospensione e plafoniera in plissé fasciato a mano. Pannello di finitura inferiore in plexiglass opale.  
 — Suspension and ceiling lamp in hand-finished pleated fabric. Opal plexiglass finishing disc underneath.  
 — Suspension et plafonnier en plissé fait à la main.

## INDOOR

### COCESP060P01

→ ø 60 × h 32 – kg 4

### COCESP080P01

→ ø 80 × h 43 – kg 7

*sospensione, suspension, suspension, Hängeleuchte, suspensión*

→ ø 60

⊙ 2 × E27 HES 42W

⊙ 2 × E 27 20W fluo

⊙ 2 × E 27 LED

⊙ 2 × FC-T5 22W+40W

⊙ 1 × modulo LED 18W (2050 lm) 3000K

→ ø 80

⊙ 3 × E27 HES 70W

⊙ 3 × E 27 20W fluo

⊙ 3 × E 27 LED

⊙ 2 × FC-T5 22W+40W

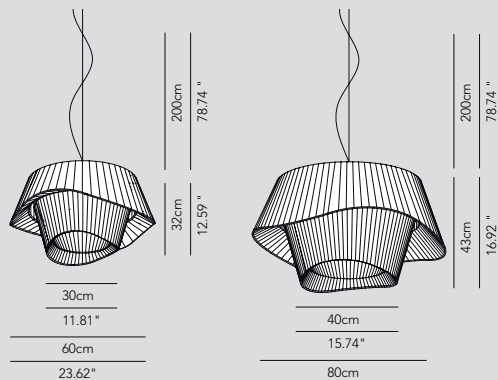
⊙ 1 × modulo LED 34,1W (3550 lm) 3000K

Disque de finition inférieur en plexiglas opale.  
 — Hänge- und Deckenleuchte aus handgerafftem Plissee. Untere Abschlussplatte aus Plexiglas opal.  
 — Suspensión y plafón en plisado hecho a mano. Disco de plexiglass opal en la parte inferior.

## INDOOR IP 20



## TECHNICALS



## FINISHES



plissé

\*\* cable on measure

\* on demand

## INFO



COCEPL080PO2 + COCEPL060PO2

— Sospensione e plafoniera in plissé fasciato a mano. Pannello di finitura inferiore in plexiglass opale.  
 — Suspension and ceiling lamp in hand-finished pleated fabric. Opal plexiglass finishing disc underneath.  
 — Suspension et plafonnier en plissé fait à la main.

## INDOOR

### COCEPL060P01

→ ø 60 × h 34 – kg 4

### COCEPL080P01

→ ø 80 × h 45 – kg 7

*plafoniera, ceiling lamp, plafonnier, Deckenleuchte, plafón*

→ ø 60

⊙ 2 × E27 HES 42W

⊙ 2 × E 27 20W fluo

⊙ 2 × E 27 LED

⊙ 2 × FC-T5 22W+40W

⊙ 1 × modulo LED 18W (2050 lm) 3000K

→ ø 80

⊙ 3 × E27 42W HES

⊙ 3 × E 27 20W fluo

⊙ 3 × E 27 LED

⊙ 2 × FC-T5 22W+40W

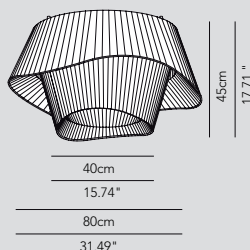
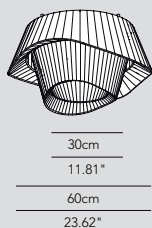
⊙ 1 × modulo LED 34,1W (3550 lm) 3000K

## INDOOR IP 20



Disque de finition inférieur en plexiglass opale.  
 — Hänge- und Deckenleuchte aus handgerafftem Plissee. Untere Abschlussplatte aus Plexiglass opal.  
 — Suspensión y plafón en plisado hecho a mano. Difusor inferior en plexiglass opal.

## TECHNICALS



## FINISHES



plissé

\*\* cable on measure

\* on demand